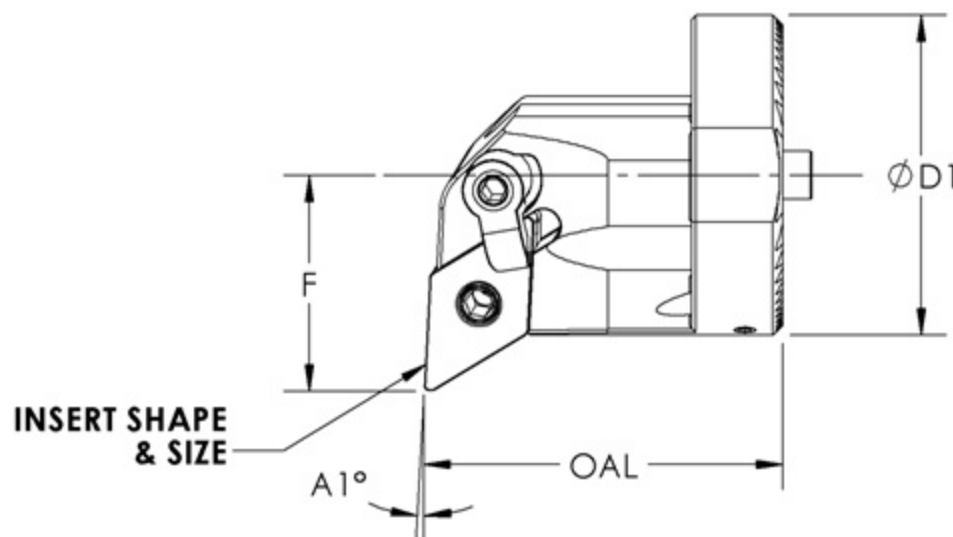


SERRATED COUPLING HEAD PRODUCT CODE



EXAMPLE: HEAD WITH ϕ 40MM BAR COUPLING (ϕ D1), RIGHT HAND, DNMG-432 INSERT @ -3° LEAD ANGLE ($A1^\circ$) AND COOLANT SUPPLY.

HAND	MOUNT	*INSERT SHAPE & SIZE	LEAD ANGLE ($A1^\circ$)	COUPLING ϕ (ϕ D1)	COOLANT
R	570	DN43	(-3)	40	C

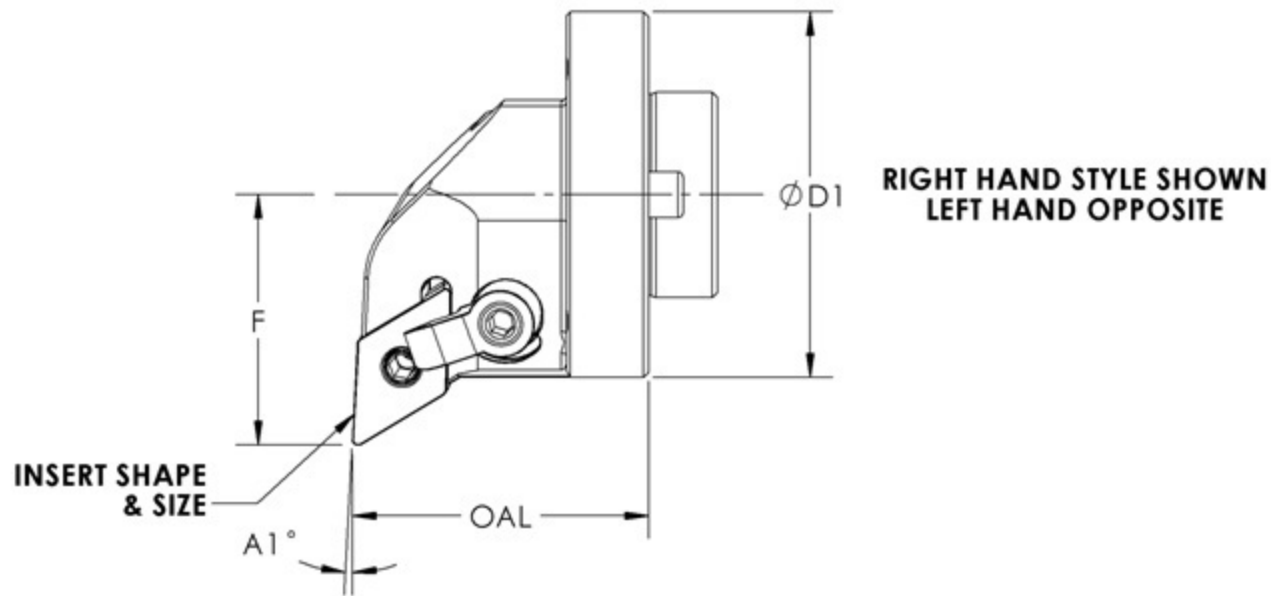
* AVAILABLE INSERT STYLES:

- CCMT-2(1.5)1, 3(2.5)2, 432
- CNMG-322, 432, 543, 643
- CPMT-2(1.5)1, 3(2.5)2
- DCMT-2(1.5)1, 3(2.5)2, 432
- DNMG-332, 432, 442
- DPMT-3(2.5)2
- NG-2, 3, 4, 6
- SCMT-3(2.5)2, 432
- SNMG-322, 432, 543, 643
- SPMT-3(2.5)2

- TCMT-2(1.5)1, 221, 3(2.5)2
- TL-2, 3, 4, 6
- TNMA-32, 43, 54, 64
- TNMC-32, 43, 54
- TNMG-322, 332, 432, 543
- TCMT-3(2.5)2
- V-84, 85
- VBMT-2(1.5)1, 332
- VCGX-2(1.5)1, 332
- VNMG-332, 432
- WNMG-332, 432

ONLY UNDERLINED CHARACTERS OF INSERT SHAPE & SIZE REQUIRED.
SPECIAL DESIGNS FOR OTHER INSERT STYLES AVAILABLE UPON REQUEST.

LOCATING PIN COUPLING HEAD PRODUCT CODE



EXAMPLE: HEAD WITH "H32" ($\phi 2.0$ ") BAR COUPLING ($\phi D1$), RIGHT HAND, DNMG-432 INSERT @ -3° LEAD ANGLE ($A1^\circ$) AND COOLANT SUPPLY.

BAR CPLNG ϕ ($\phi D1$, IN 1/16")	*CLAMPING SYSTEM	*INSERT SHAPE	*LEAD ANGLE ($A1^\circ$)	*INSERT CLEARANCE ANGLE	*HAND	*INSERT I.C. SIZE (IN 1/8")	COOLANT SUPPLY
--	---------------------	------------------	-------------------------------	-------------------------------	-------	-----------------------------------	-------------------

H32 M D U N R 4 W

*CODES FOLLOW A.N.S.I. STANDARD NAMING CONVENTION

AVAILABLE INSERT STYLES:

CCMT-2(1.5)1, 3(2.5)2, 432
 CNMG-322, 432, 543, 643
 CPMT-2(1.5)1, 3(2.5)2
 DCMT-2(1.5)1, 3(2.5)2, 432
 DNMG-332, 432
 DPMT-3(2.5)2
 NG-2, 3, 4, 6
 SCMT-3(2.5)2, 432
 SNMG-322, 432, 543, 643
 SPMT-3(2.5)2

TCMT-2(1.5)1, 221, 3(2.5)2
 TNMA-32, 43, 54, 64
 TNMC-32, 43, 54
 TNMG-322, 332, 432, 543
 TCMT-3(2.5)2
 V-84, 85
 VBMT-2(1.5)1, 332
 VCGX-2(1.5)1, 332
 VNMG-332, 432
 WNMG-332, 432

SPECIAL DESIGNS FOR OTHER INSERT STYLES AVAILABLE UPON REQUEST.